

SGCG-202411-01



3-in-1 Dental CBCT

# HASLA



### How to reach us

10 Yangnyeong-ro, Moga-myeon, Icheon-si, Gyeonggi-do 17408 Korea

**Tel.** +82 (0)2 449 6908 **Fax.** +82 (0)2 449 6909

**E-mail.** sales@sghealthcare.com **Web.** www.sghealthcare.com

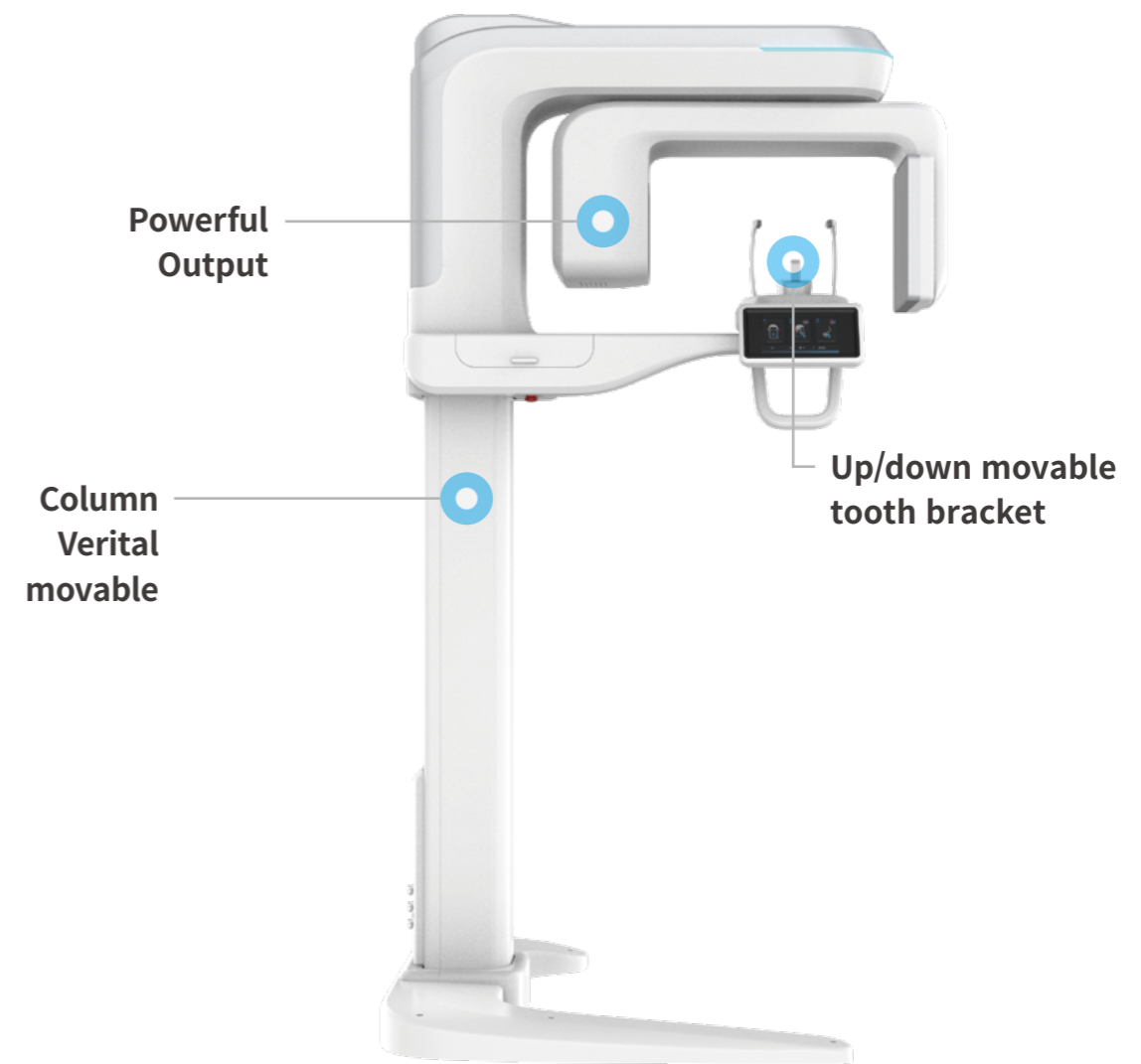
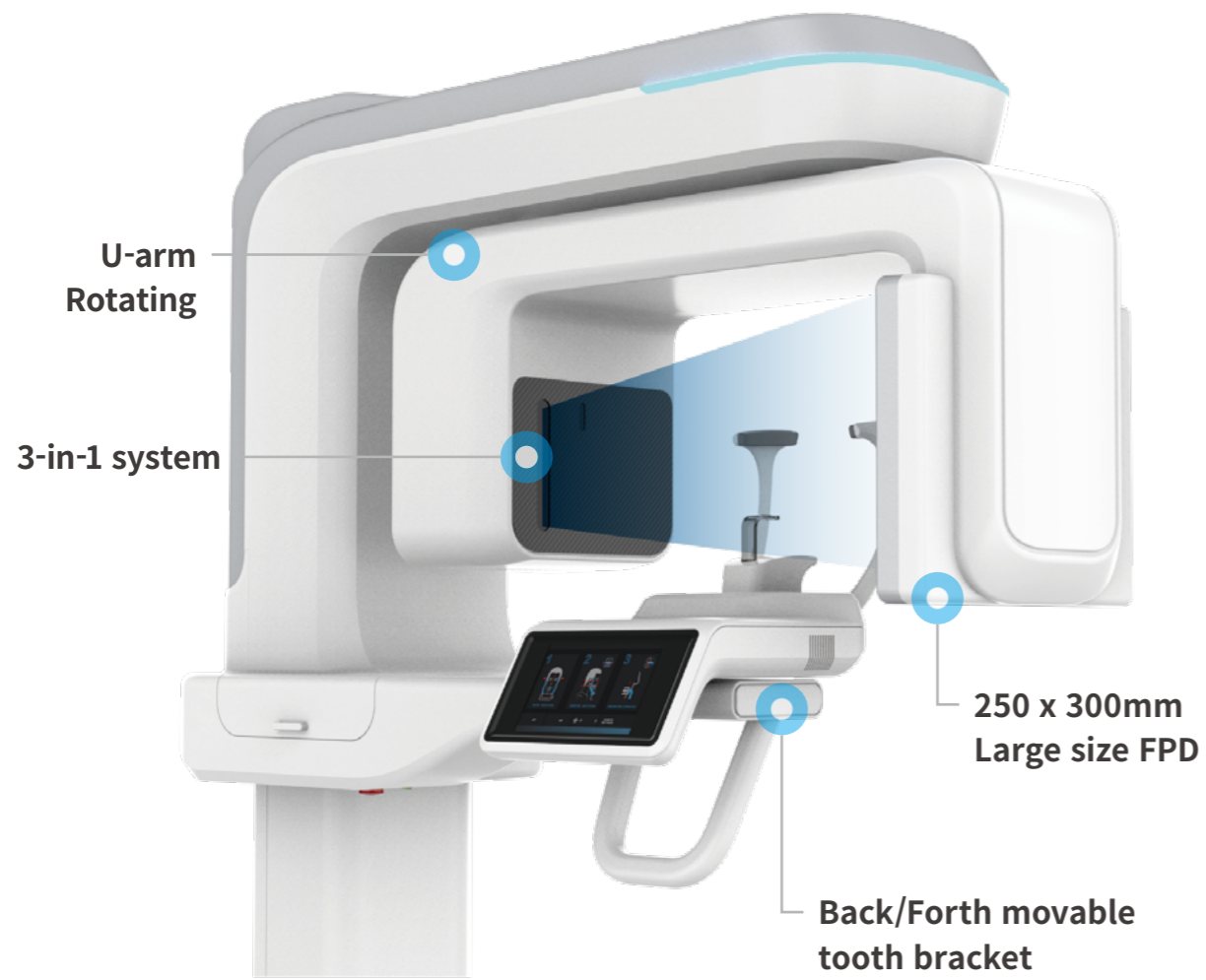
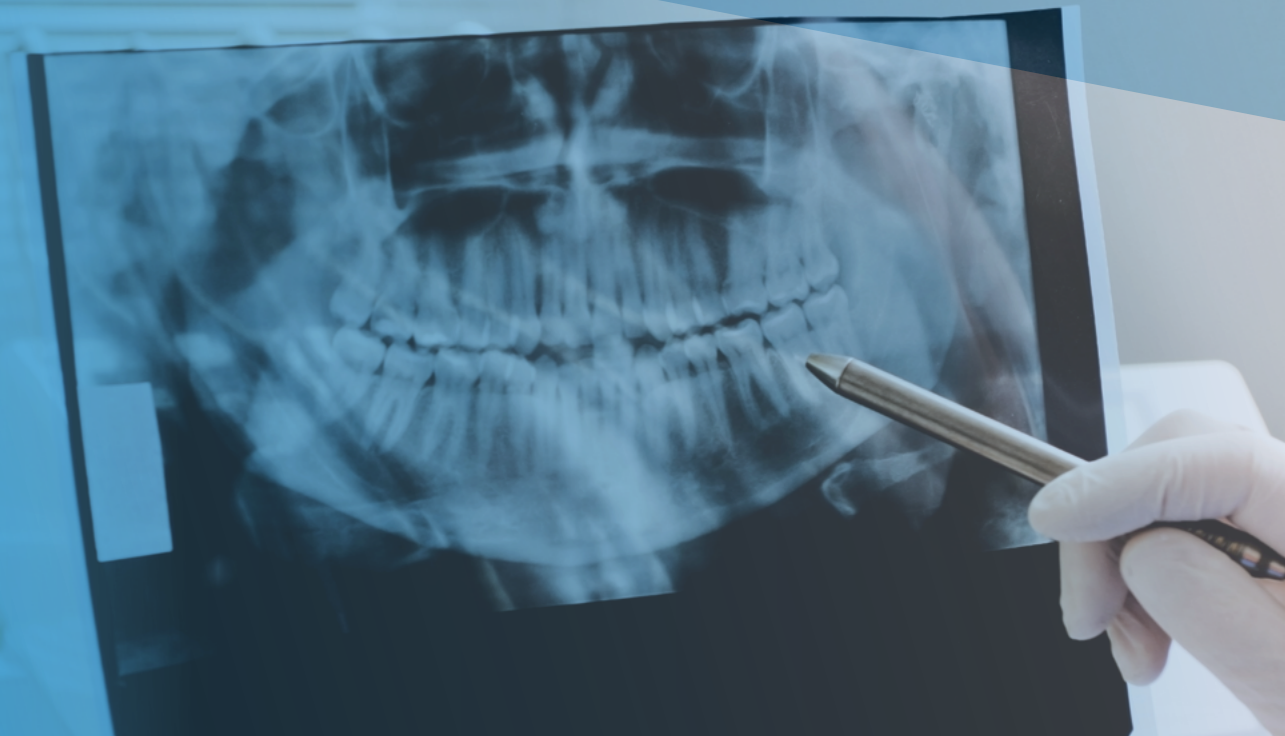
Copyright © SG HealthCare.Co.,Ltd. All Rights Reserved.



# 3 in 1 Dental CBCT system

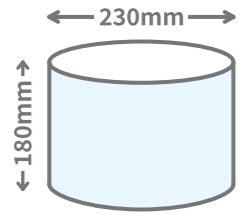
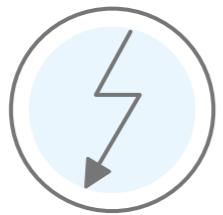

Compact and User friendly design

HASLA is to take image of the dental condition, which can understand the dental tissue, jaw joint and other conditions in all aspects to take image, and assist the doctor in pre-surgical plan guidance, as well as post-operative scientific observation.

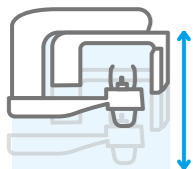
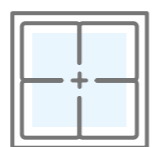
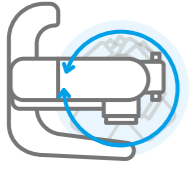
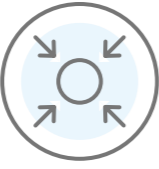
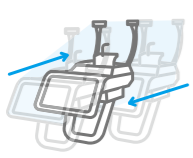



SG HealthCare

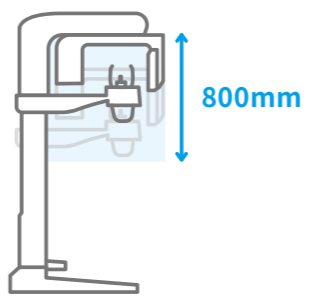
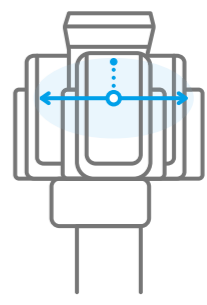
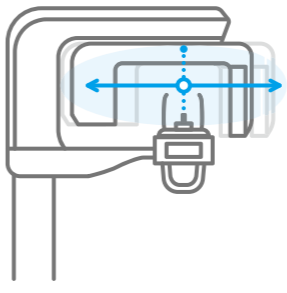
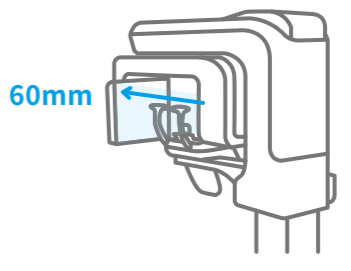
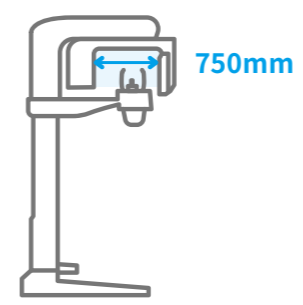
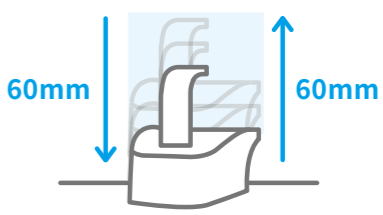
## Key features

 <p><b>Wide FOV</b></p> <p>230 X 180mm of FOV</p>	 <p><b>1.2kW Output</b></p> <p>High power ray source</p>	 <p><b>3-in-1 system</b></p> <p>Panoramic, CBCT, Ceph</p>
--	---	--

## Specifications

 <p><b>Column Up/down</b></p>	 <p><b>250x300mm Detector</b></p>
 <p><b>U-arm Rotation</b></p>	 <p><b>Compact size for the room</b></p>
 <p><b>Tooth bracket moves back/forth</b></p>	 <p><b>Pre-surgical plan guidance</b></p>

## Movement Specification

 <p><b>Column Vertical 800mm</b></p>	 <p><b>Transverse of U-shaped Arm 0mm~70mm ±2%</b></p>
 <p><b>Longitudinal of U-shaped Arm 0mm~70mm ±2%</b></p>	 <p><b>Laser moving range 60mm</b></p>
 <p><b>SID 750mm</b></p>	 <p><b>Bracket movement range 60mm</b></p>

# Software

## Powerful Digital Image

Whatever the clinical environment, you will benefit from the most optimized output. The combination of FPD means that HASLA provides the highest quality on screen image.

# Clinical Image

## Processing and Display

Equipped with a high resolution FPD. Making it easy for healthcare providers to share patient images, collaborate on clinical workflows, and communicate diagnosis report.

